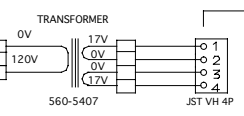
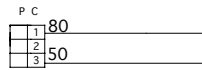
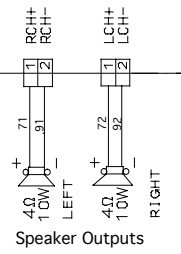


120 Vac Input



838-13616
AUDIO POWER AMP 2CH



Phono plugs

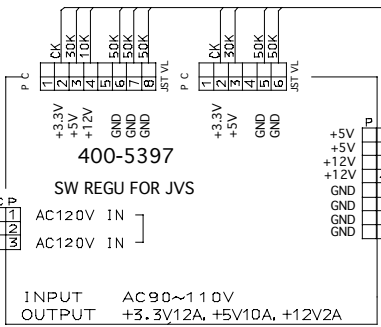
[Extra] [GD ROM DRIVE]

5k pot

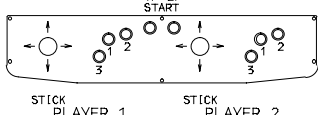
56p EDGE CONNECTOR (P=3.96mm)

A	1	GND	1	GND
B	2	GND	2	A
C	3	+5V	3	GND
D	4	+5V	4	GND
E	5	(-5V)	5	GND
F	6	+12V	6	GND
G	7	(KEY)	7	GND
H	8	(KEY)	8	GND
J	9	COIN METER 1	9	GND
K	10	(COIN LOCKOUT 1)	10	GND
L	11	(SPEAKER +)	11	GND
M	12	(SPEAKER -)	12	GND
N	13	(N.C.)	13	GND
O	14	(N.C.)	14	GND
P	15	RED	15	GND
R	16	GREEN	16	GND
S	17	BLUE	17	GND
T	18	SYNC	18	GND
U	19	GND (SYNC)	19	GND
V	20	TEST	20	GND
W	21	SERVICE	21	GND
X	22	(TILT)	22	GND
Y	23	COIN1	23	GND
Z	24	COIN2	24	GND
a	25	1P START	25	GND
b	26	2P START	26	GND
c	27	1P UP	27	GND
d	28	2P UP	28	GND
e	29	1P DOWN	29	GND
f	30	2P DOWN	30	GND
g	31	W (2P DOWN)	31	GND
h	32	X (2P LEFT)	32	GND
i	33	Y (2P RIGHT)	33	GND
j	34	Z (2P RIGHT)	34	GND
k	35	1P SW1	35	GND
l	36	2P SW1	36	GND
m	37	1P SW2	37	GND
n	38	2P SW2	38	GND
o	39	1P SW3	39	GND
p	40	2P SW3	40	GND
q	41	1P SW4	41	GND
r	42	2P SW4	42	GND
s	43	1P SWS	43	GND
t	44	2P SWS	44	GND
u	45	1P SWS	45	GND
v	46	2P SWS	46	GND
w	47	GND	47	GND
x	48	GND	48	GND
y	49	GND	49	GND
z	50	GND	50	GND
aa	51	GND	51	GND
ab	52	GND	52	GND
ac	53	GND	53	GND
ad	54	GND	54	GND
ae	55	GND	55	GND
af	56	GND	56	GND

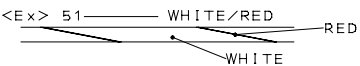
I/O BD JVS TO JAMMA



CONTROL PANEL



10 RED	60 ORANGE	C BROWN
20 BLUE	70 BLACK	D PURPLE
30 YELLOW	80 GRAY	E LIGHT GREEN
40 GREEN	A PINK	
50 WHITE	B SKY BLUE	



JAMMA CONNECTIONS USED ARE:
 ∞ VIDEO OUT
 ∞ SWITCH INPUTS
 ∞ SWITCH GROUND RETURNS
 ∞ COIN COUNTER OUTPUT

NOTE: THERE ARE TO BE NO CONNECTIONS MADE TO THE JAMMA INTERFACE OTHER THAN THE ABOVE FOREMENTIONED.

The character following the wire color code indicates the size of the wire.
 K — AWG18 UL1015
 L — AWG20 UL1007
 None — AWG22 UL1007

NAOMI KIT UNIVERSAL WIRING DIAGRAM (1/1)